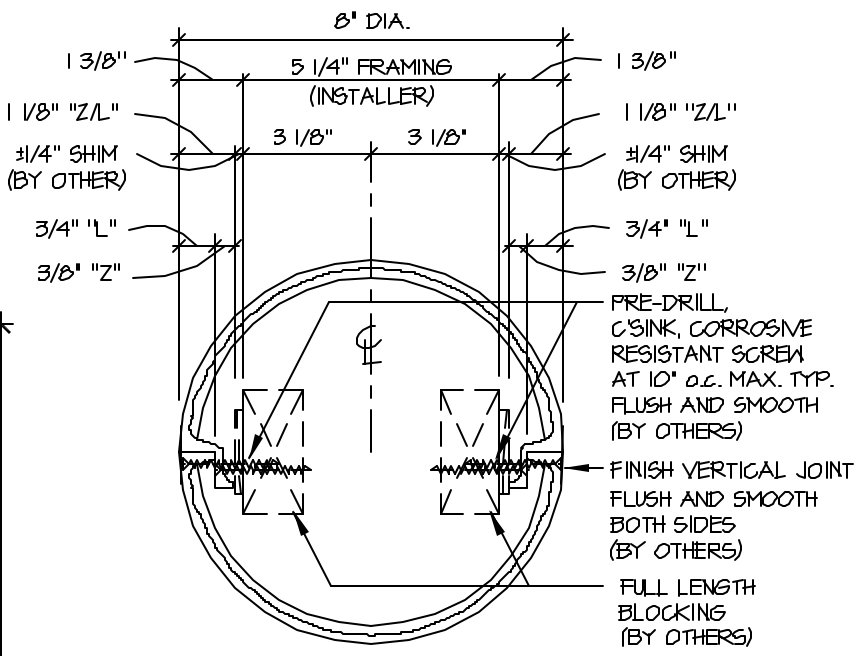
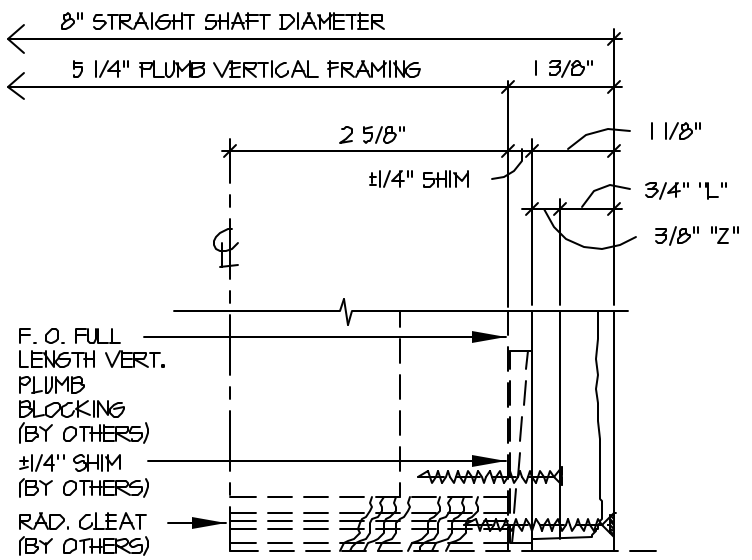


**ELEVATION**  
SCALE: 1/2" = 1'-0"  
A



**COLUMN SHAFT SECTION**  
SCALE: N. T. S.  
2



**SECTION**  
SCALE: N. T. S.  
1



**CORPORATE HEADQUARTERS**  
18 TECHNOLOGY DRIVE  
SUITE #134  
IRVINE, CA 92618  
PH: 949 - 502 - 3321  
FX: 949 - 502 - 3319

info @ decassociates . com  
www @ decassociates . com

PROJECT:	<b>8" DIAMETER</b>
JOB NO:	<b>NO CAP / NO BASE</b>
TITLE:	<b>FULL ROUND / SPLIT</b>
TITLE:	<b>STANDARD PRODUCT LINE</b>
SCALE:	<b>AS SHOWN</b>
DRAWN BY:	<b>-</b>

SHEET NO.	<b>C-108</b>
PAGE	<b>OF</b>

A Division of DEC Associates, Inc.