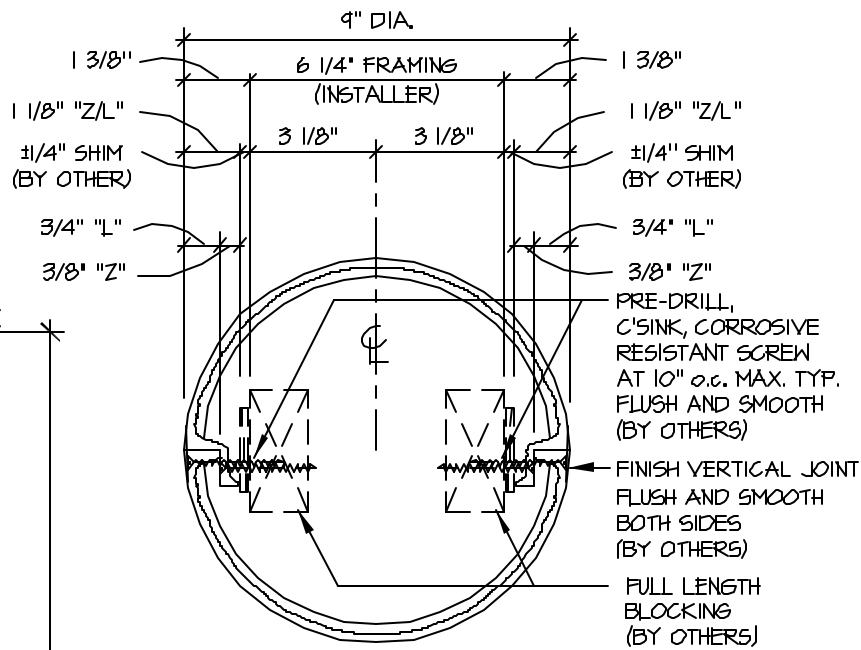


ELEVATION

SCALE : 1/2" = 1'-0"

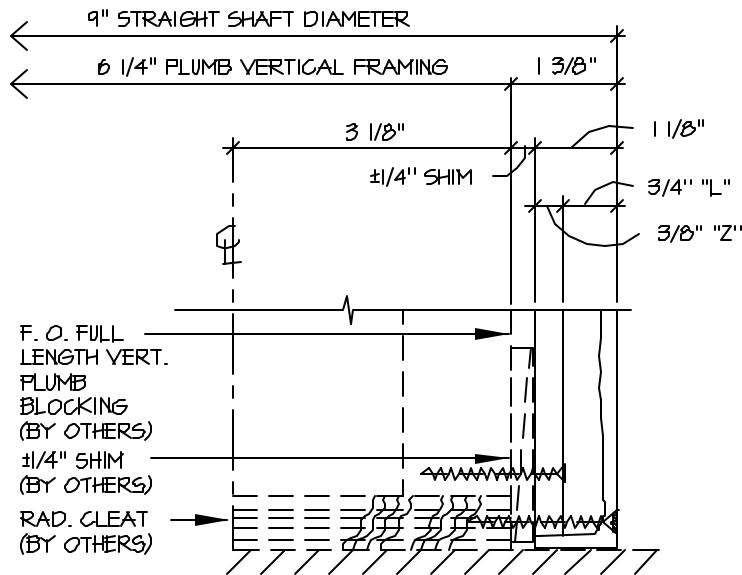
A



COLUMN SHAFT SECTION

SCALE : N. T. S.

2



SECTION

SCALE : N. T. S.

1



A Division of DEC Associates, Inc.

CORPORATE HEADQUARTERS

18 TECHNOLOGY DRIVE
SUITE #134
IRVINE, CA 92618
PH: 949 - 502 - 3321
FX: 949 - 502 - 3319

info @ decassociates . com
www @ decassociates . com

PROJECT:

9" DIAMETER

STRAIGHT SHAFT COLUMN

JOB NO:

NO CAP / NO BASE

TITLE:

FULL ROUND / SPLIT

TITLE:

STANDARD PRODUCT LINE

SCALE:

AS SHOWN

DRAWN BY:

—

SHEET NO.

C-109

PAGE

OF