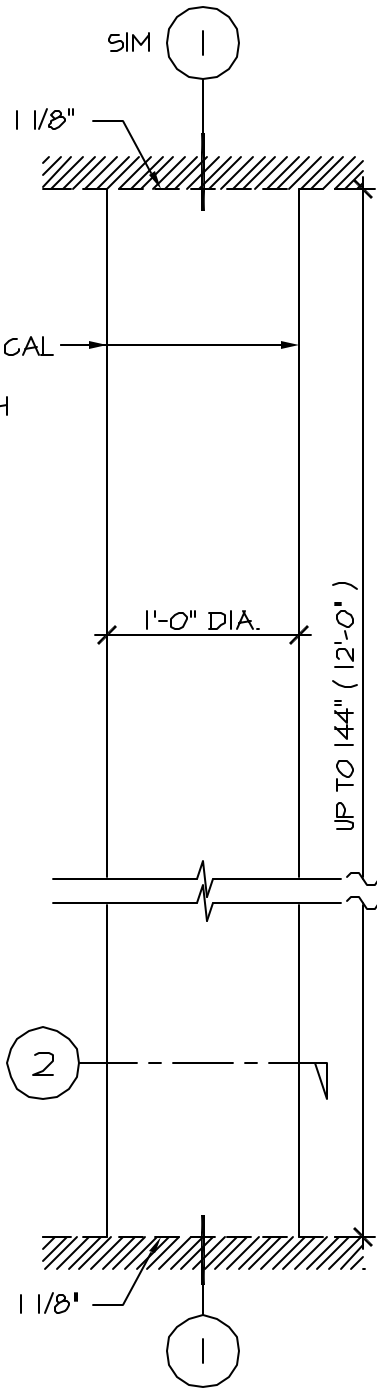
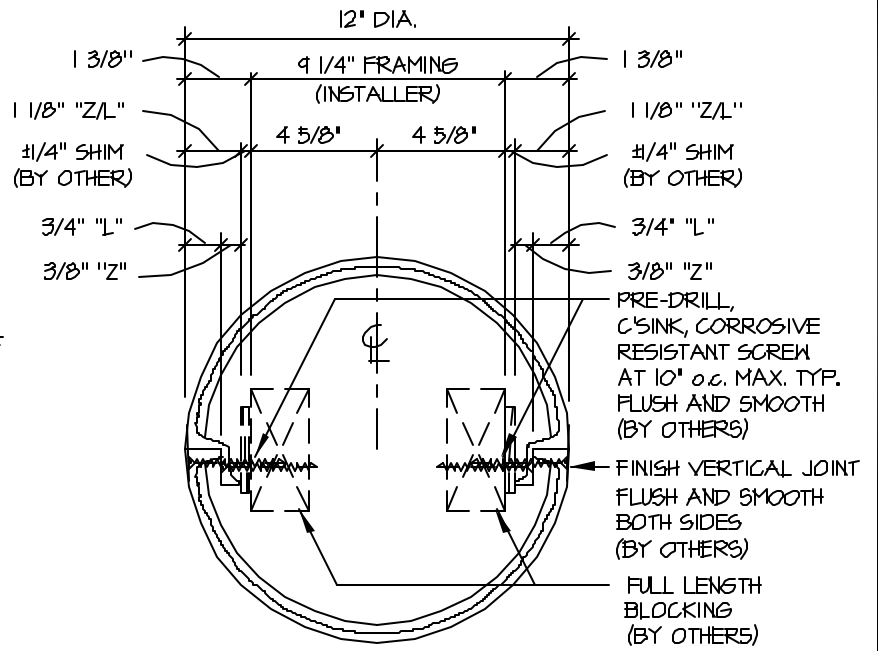


FINISH VERTICAL JOINT FLUSH AND SMOOTH (BY OTHERS)



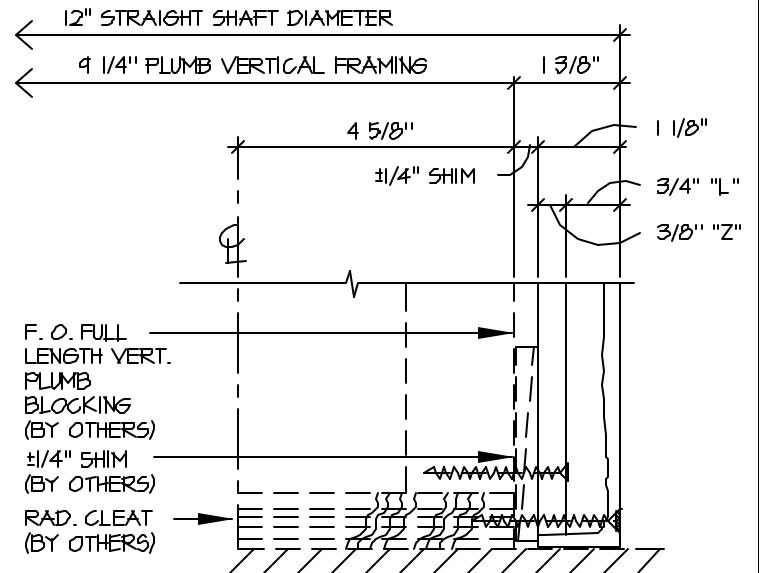
**ELEVATION**

SCALE : 1" = 1'-0"



**COLUMN SHAFT SECTION**

SCALE : N. T. S.



**SECTION**

SCALE : N. T. S.



**CORPORATE HEADQUARTERS**

18 TECHNOLOGY DRIVE  
SUITE #134  
IRVINE, CA 92618  
PH: 949 - 502 - 3321  
FX: 949 - 502 - 3319

info @ decassociates . com  
www @ decassociates . com

A Division of DEC Associates, Inc.

PROJECT:	<b>12" DIAMETER</b>	SHEET NO.
	<b>STRAIGHT SHAFT COLUMN</b>	
JOB NO:	<b>NO CAP / NO BASE</b>	
TITLE:	<b>FULL ROUND / SPLIT</b>	<b>C-112</b>
TITLE:	<b>STANDARD PRODUCT LINE</b>	
SCALE:	<b>AS SHOWN</b>	PAGE
	DRAWN BY: <b>-</b>	OF