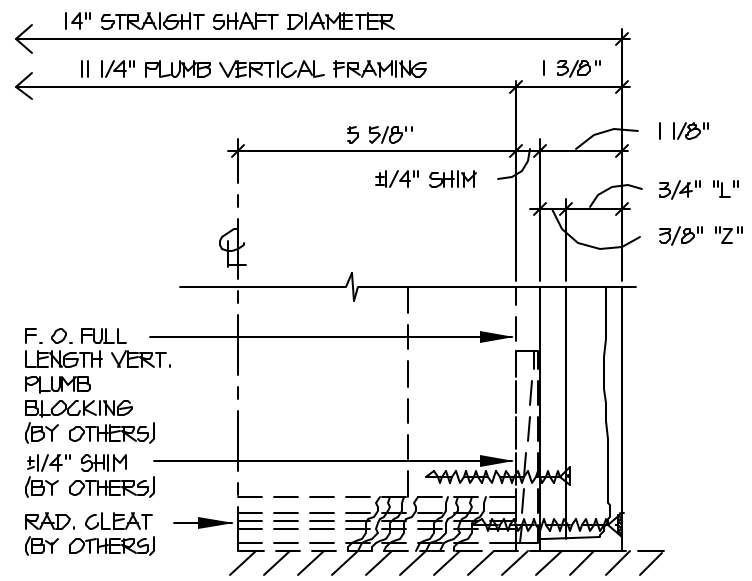


COLUMN SHAFT SECTION ②
SCALE : N. T. S.



SECTION ①
SCALE : N. T. S.

ELEVATION ①
SCALE : 1" = 1'-0"



CORPORATE HEADQUARTERS
18 TECHNOLOGY DRIVE
SUITE #134
IRVINE, CA 92618
PH: 949 - 502 - 3321
FX: 949 - 502 - 3319

info @ decassociates . com
www @ decassociates . com

PROJECT:	14" DIAMETER
	STRAIGHT SHAFT COLUMN
JOB NO:	NO CAP / NO BASE
TITLE:	FULL ROUND / SPLIT
TITLE:	STANDARD PRODUCT LINE
SCALE:	AS SHOWN
DRAWN BY:	-

SHEET NO.	C-114
PAGE	
OF	

A Division of DEC Associates, Inc.