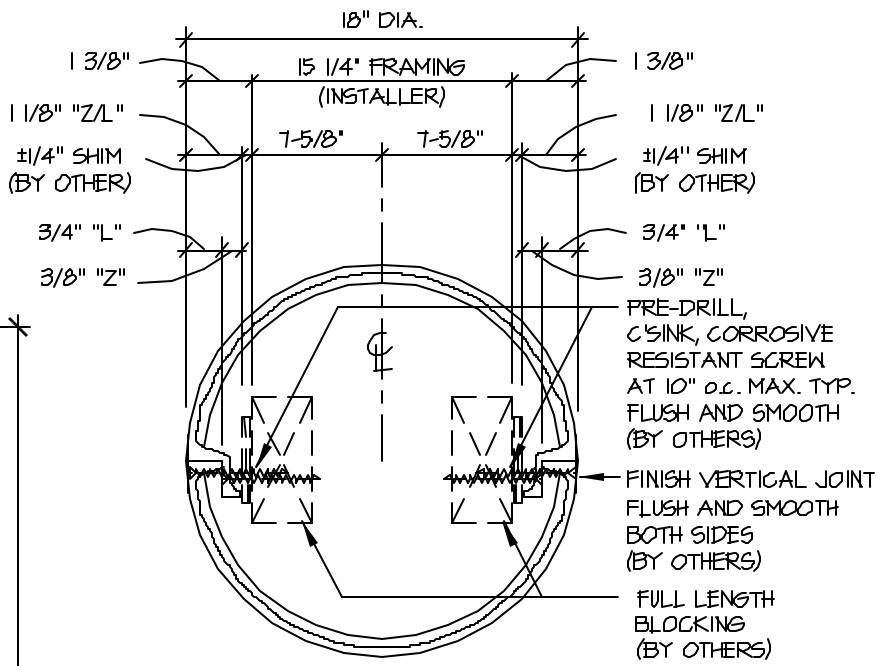
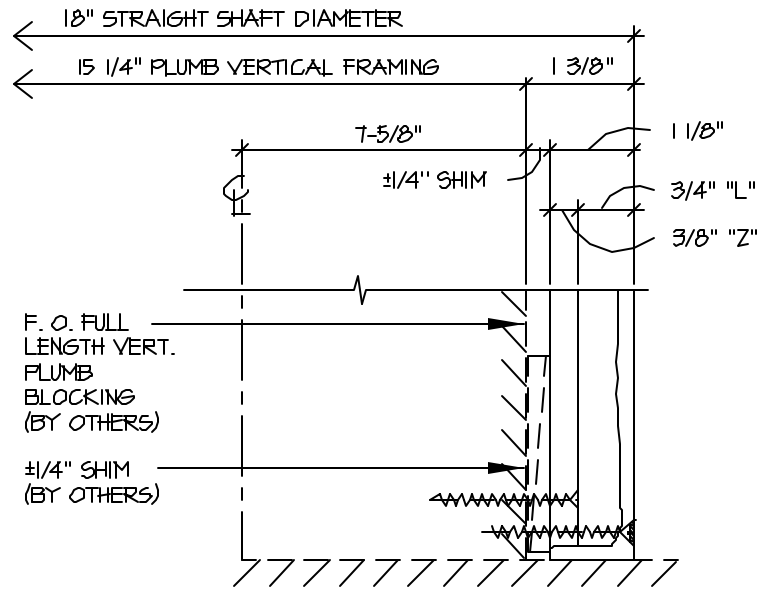


ELEVATION
SCALE: 3/4" = 1'-0"
A



COLUMN SHAFT SECTION
SCALE: N. T. S.
2



SECTION
SCALE: N. T. S.
1



CORPORATE HEADQUARTERS
18 TECHNOLOGY DRIVE
SUITE #134
IRVINE, CA 92618
PH: 949 - 502 - 3321
FX: 949 - 502 - 3319

info @ decassociates . com
www @ decassociates . com

| | |
|-----------|------------------------------|
| PROJECT: | 18" DIAMETER |
| JOB NO.: | NO CAP / NO BASE |
| TITLE: | FULL ROUND / SPLIT |
| TITLE: | STANDARD PRODUCT LINE |
| SCALE: | AS SHOWN |
| DRAWN BY: | - |

| | |
|-----------|--------------|
| SHEET NO. | C-118 |
| PAGE | OF |

A Division of DEC Associates, Inc.