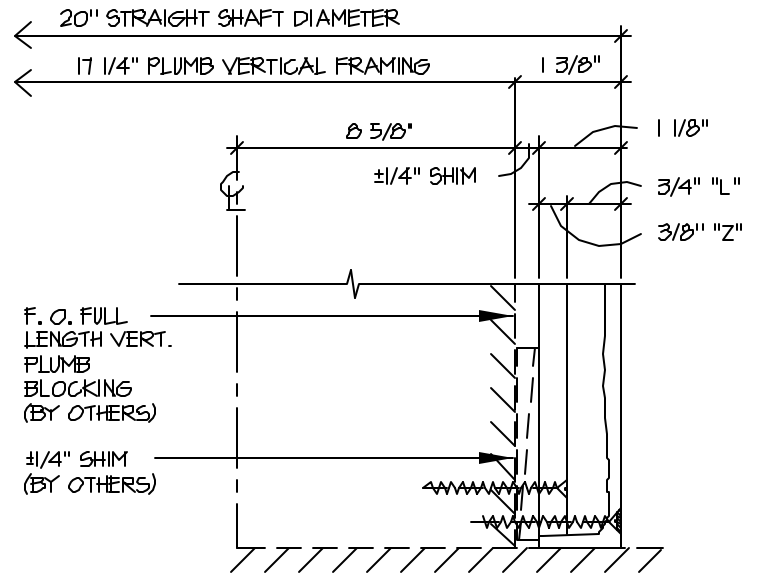


COLUMN SHAFT SECTION

SCALE: N. T. S.

2



SECTION

SCALE: N. T. S.

1



CORPORATE HEADQUARTERS
 18 TECHNOLOGY DRIVE
 SUITE #134
 IRVINE, CA 92618
 PH: 949 - 502 - 3321
 FX: 949 - 502 - 3319

info @ decassociates . com
 www @ decassociates . com

A Division of DEC Associates, Inc.

PROJECT:	20" DIAMETER
JOB NO.:	NO CAP / NO BASE
TITLE:	FULL ROUND / SPLIT
TITLE:	STANDARD PRODUCT LINE
SCALE:	AS SHOWN
DRAWN BY:	-

SHEET NO.	C-120
PAGE	OF