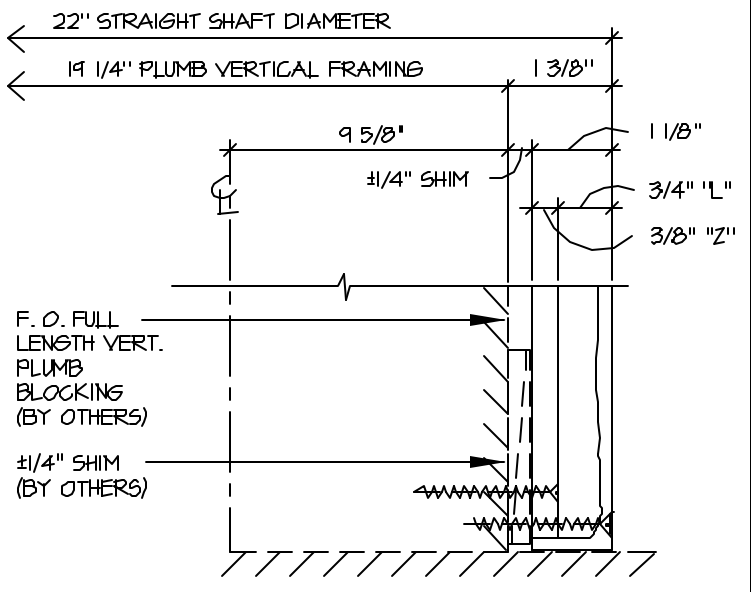


COLUMN SHAFT SECTION 2

SCALE : N. T. S.



SECTION 1

SCALE : N. T. S.



CORPORATE HEADQUARTERS
 18 TECHNOLOGY DRIVE
 SUITE #134
 IRVINE, CA 92618
 PH: 949 - 502 - 3321
 FX: 949 - 502 - 3319

info @ decassociates . com
 www @ decassociates . com

A Division of DEC Associates, Inc.

PROJECT:	22" DIAMETER
JOB NO:	NO CAP / NO BASE
TITLE:	FULL ROUND / SPLIT
TITLE:	STANDARD PRODUCT LINE
SCALE:	AS SHOWN
DRAWN BY:	-

SHEET NO.	C-122
PAGE	
OF	