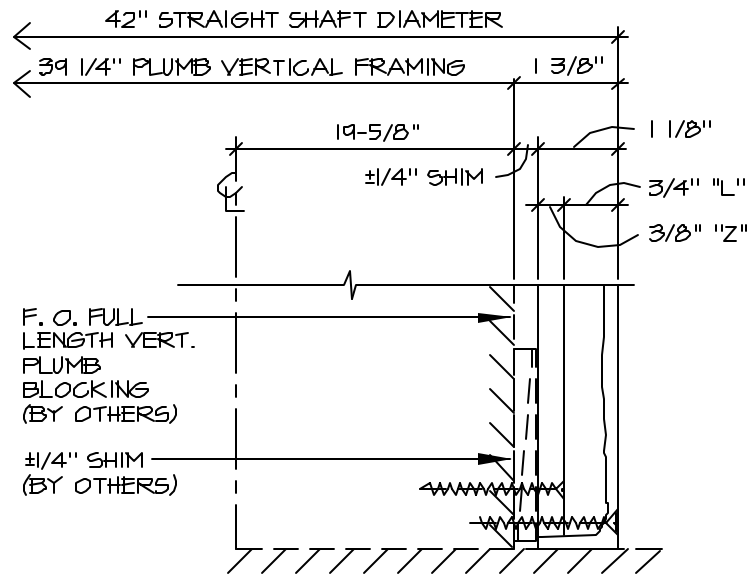


**COLUMN SHAFT SECTION**

SCALE: N. T. S.

2



**SECTION**

SCALE: N. T. S.

1



**CORPORATE HEADQUARTERS**  
 18 TECHNOLOGY DRIVE  
 SUITE #134  
 IRVINE, CA 92618  
 PH: 949 - 502 - 3321  
 FX: 949 - 502 - 3319

info @ decassociates . com  
 www @ decassociates . com

|           |                              |
|-----------|------------------------------|
| PROJECT:  | <b>42" DIAMETER</b>          |
| JOB NO:   | <b>NO CAP / NO BASE</b>      |
| TITLE:    | <b>FULL ROUND / SPLIT</b>    |
| TITLE:    | <b>STANDARD PRODUCT LINE</b> |
| SCALE:    | <b>AS SHOWN</b>              |
| DRAWN BY: | -                            |

|           |              |
|-----------|--------------|
| SHEET NO. | <b>C-142</b> |
| PAGE      | OF           |

A Division of DEC Associates, Inc.