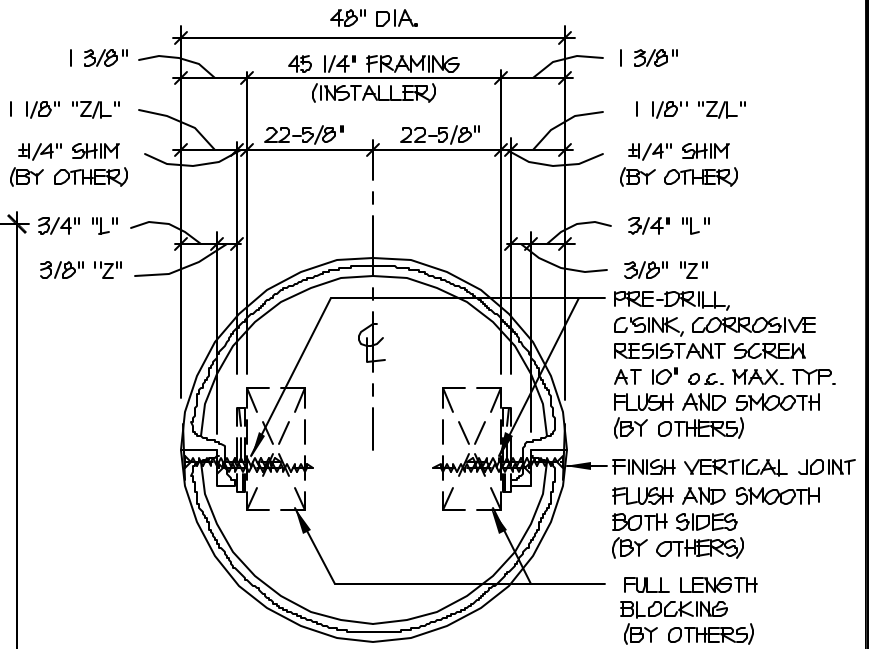


ELEVATION

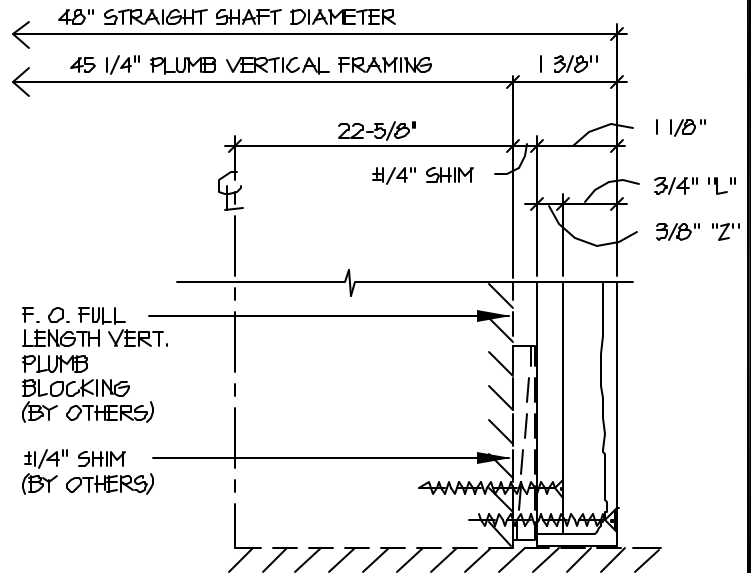
SCALE: 1/2" = 1'-0"

UP TO 144" (12'-0")



COLUMN SHAFT SECTION

SCALE: N. T. S.



SECTION

SCALE: N. T. S.



A Division of DEC Associates, Inc.

CORPORATE HEADQUARTERS

18 TECHNOLOGY DRIVE
SUITE #134
IRVINE, CA 92618
PH: 949 - 502 - 3321
FX: 949 - 502 - 3319

info @ decassociates . com
www @ decassociates . com

PROJECT: **48" DIAMETER**

STRAIGHT SHAFT COLUMN

JOB NO: **NO CAP / NO BASE**

TITLE: **FULL ROUND / SPLIT**

TITLE: **STANDARD PRODUCT LINE**

SCALE: **AS SHOWN**

DRAWN BY: **-**

SHEET NO.

C-148

PAGE

OF