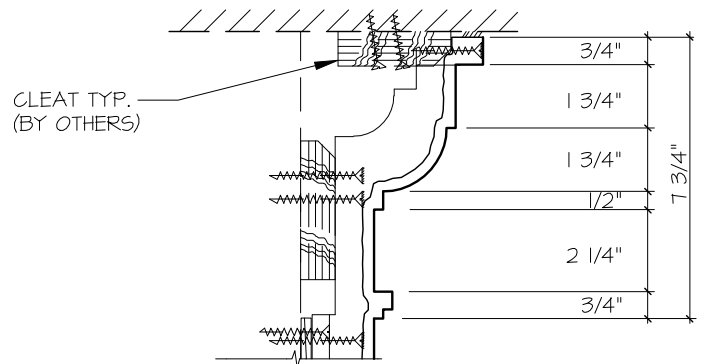


ELEVATION

SCALE : 1" = 1'-0"

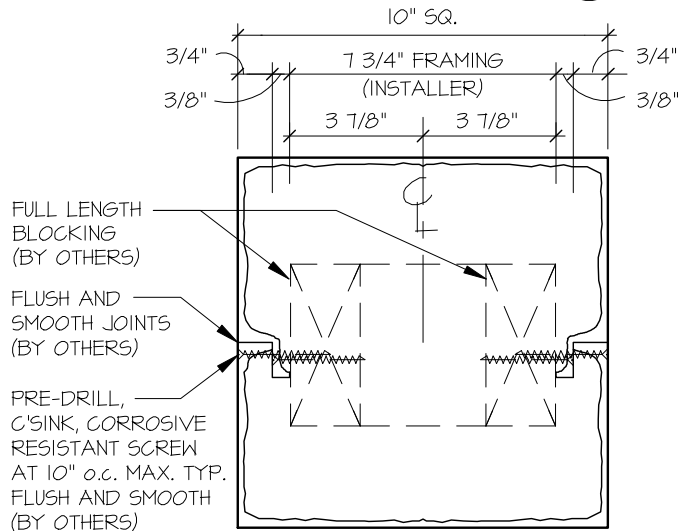
A



SECTION AT CAPITAL

SCALE : N. T. S.

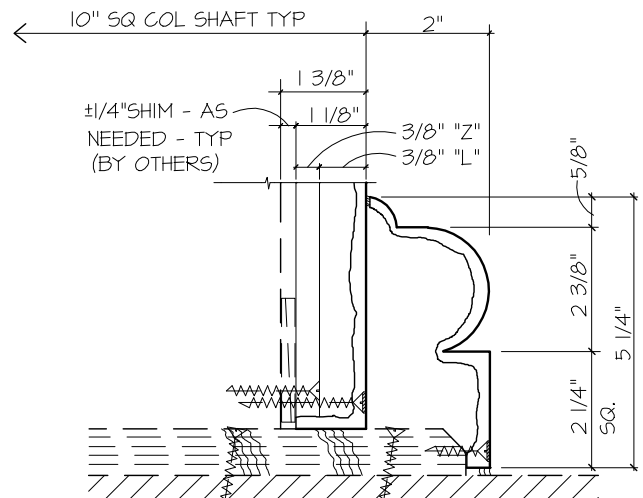
1



COLUMN SHAFT SECTION

SCALE : N. T. S.

2



SECTION

SCALE : N. T. S.

3



CORPORATE HEADQUARTERS

18 TECHNOLOGY DRIVE
SUITE #134
IRVINE, CA 92618
PH: 949 - 502 - 3321
FX: 949 - 502 - 3319

EMAIL : info@decassociates.com
WEBSITE : www.decassociates.com

PROJECT:	10" SQUARE	
	STRAIGHT COLUMN	
JOB NO:	FIXED CAP & LOOSE / SPLIT BASE	
TITLE:	FULL SQUARE / SPLIT	
TITLE:	STANDARD PRODUCT LINE	
SCALE:	AS SHOWN	DRAWN BY: —

SHEET NO.	C-610
PAGE	
OF	